



## 1 Megapixel HD Cube Network Camera

### Key Features

- **H.264 and MJPEG encoding**

H.264 outputs and MJPEG output can be provided.

- **Wide-angle lens with day/night functionality and built-in IR-LED**

- **Audio features**

The camera features a built-in microphone and speaker that allows you to monitor the audio while viewing live camera images using your PC.

- **Built-in PIR Sensor (Pyroelectric infrared sensor)**

The camera features a built-in PIR Sensor (Pyroelectric infrared sensor), which uses infrared rays to detect temperature differences within its range that are emitted naturally by people, animals, etc.

- **Wireless LAN function (IEEE802.11 n/g/b)**

It is possible to monitor camera images and configure camera settings over a wireless network.

- **WPS (Wi-Fi Protected Setup) function**

WPS enables the camera to automatically obtain the connection configuration information and the security configuration information of the wireless router. WPS can be configured by pressing the WPS button (PBC method) or entering an 8 digit pin code (Pin code method).

### Standard Accessories

- |                                      |       |  |       |
|--------------------------------------|-------|--|-------|
| • Installation Guide .....           | 1 pc. | • AC adaptor plug for Europe .....         | 1 pc. |
| • Installation Accessories Bag ..... | 1 pc. | • AC adaptor plug for United Kingdom ..... | 1 pc. |
|                                      |       | • AC adaptor .....                         | 1 pc. |

### Cloud service of "Cameramanager"

Use the Panasonic K-EP104LWE with the cloud-based video management system of Cameramanager.

With Cameramanager users can record footage to the cloud, live-view cameras, get access to cloud-based video analytics of CLVR, and many more.

#### Cameramanager specifications & features:

- Cloud storage Up to 30 days cloud storage
- H.264 / M-JPEG cloud streaming up to HD 720P
- Mobile Apps for iOS / Android phone & tablet and a browser version for Windows Mobile
- PC / Mac Downloadable application for PC, Mac and Linux
- Connection Zero-configuration setup via automated installation (plug&play)
- Video analytics (CLVR) Cloud-based object and human detection supported
- Alarming Push and email notifications supported
- Cloud features Live viewing, recording, playback, recording scheduling, alarm scheduling, user management, motion, sound & PIR detection, settings management, exporting video.

\* A complete overview of all features can be found on [www.cameramanager.com](http://www.cameramanager.com) <<http://www.cameramanager.com/>>.

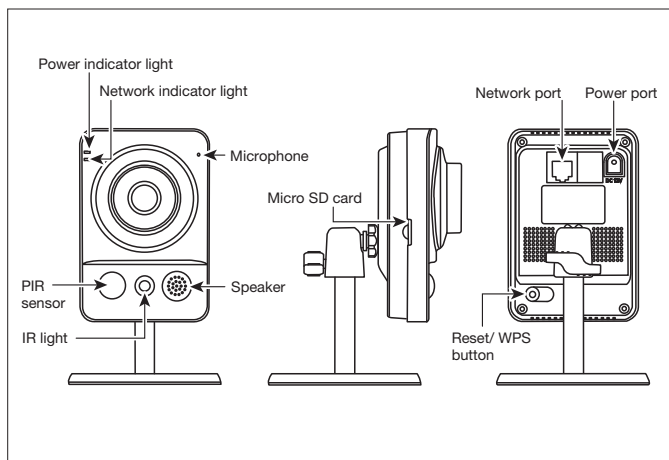
\* A paid subscription is needed for cloud storage and unlocking all features. Paid subscriptions only.



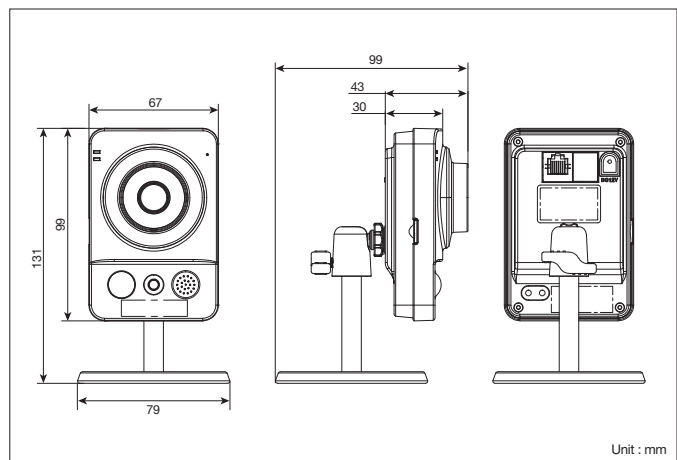
## Specifications

Basic	
Power source	DC 12 V (Use only with specified AC adaptor)
Power consumption	Max 4.7 W
Operating environment Ambient operating temperature	0 °C to +40 °C {32 °F to 104 °F}
Ambient operating humidity	10 % to 90 % (no condensation)
Storage environment Storage temperature	-20 °C to +60 °C {-4 °F to 140 °F}
Storage humidity	10 % to 95 % (no condensation)
Microphone	Internal microphone
Audio output	Internal speaker
Micro SD memory slot	SDHC memory card: 4 GB, 8 GB, 16 GB, 32 GB
PIR sensor range	Up to 6 m
IR LED irradiation distance	10 m
Dimensions	67 mm (W) × 99 mm (H) × 43 mm (D)(without bracket)
Mass	170 g (with bracket)
Camera	
Image sensor	Approx. 1/4 type CMOS image sensor
Effective pixels	1280 (H) × 720 (V) Approx. 1.0 mega pixels
Scanning system	Progressive
Minimum illumination	Color 0.5 lx (Gain Max)
Gain	Auto / Manual
Back light compensation	OFF / BLC / WDR / HLC
Electronic shutter speed	Auto/ Manual, 1/3~1/10000
Day/Night	Color / Auto / Black & White
White balance	Auto / Manual
Digital noise reduction	3DNR ON / OFF
Privacy masking	Up to 4 areas
Event detection	VMD (Motion detection) / PIR / Audio Detection
Lens	
Focal length	2.5 mm
Maximum aperture ratio	1 : 2.0
Focus range	0.3 m ~ ∞
Angular field of view	Horizontal 88 ° , Vertical 46 °
Network	
Ethernet	10BASE-T / 100BASE-TX, RJ45 connector
Wireless	IEEE802.11n / b / g
Resolution	720P (1280 x 720) / 640 x 360 / 320 x 180
Image compression method	H.264/ MJPEG
Frame Rate	1 ~ 30 fps
Audio compression method	G.711a / G.711u / PCM
Bit Rate	H.264: 32 K ~ 8192 Kbps
Protocol	IPv4/ IPv6, HTTP, SSL, TCP/ IP, UDP, UPnP, ICMP, IGMP, SNMP, RTSP, RTP, SMTP, NTP, DHCP, DNS, PPPoE, DDNS, FTP, IP Filter, QoS, Bonjour, RTCP, ARP
Maximum concurrent access number	10 (Number of sessions that can connect to cameras at the same time)

## Part Names and Functions



## Appearance



### Trademarks and registered trademarks

- Windows is registered trademarks of Microsoft Corporation in the U.S. and other countries.
- Linux® is the registered trademark of Linus Torvalds in the U.S. and other countries.
- Mac is a trademark of Apple Inc.
- Android is a trademark of Google Inc.
- All other trademarks identified herein are the property of their respective owners.

### Important

- Safety Precaution: Carefully read the Important Information, Installation Guide and operating instructions before using this product.
- Panasonic cannot be responsible for the performance of the network and/or other manufacturers' products used on the network.

- Masses and dimensions are approximate.
- Specifications are subject to change without notice.

DISTRIBUTED BY:

# Panasonic

<http://security.panasonic.com>

<http://www.facebook.com/PanasonicNetworkCamera>

(2A-131A)